

TECHIMPEX

WWW.TECHIMPEX.IT
techimpex@techimpex.it

TECHNICAL SHEET

DATA: 28/08/2006

MODIFICA: 00

FORM. A4 SCALA: 1:5

DISEGNATORE: TRAMONTI

MODEL: SEAFARERTHREE

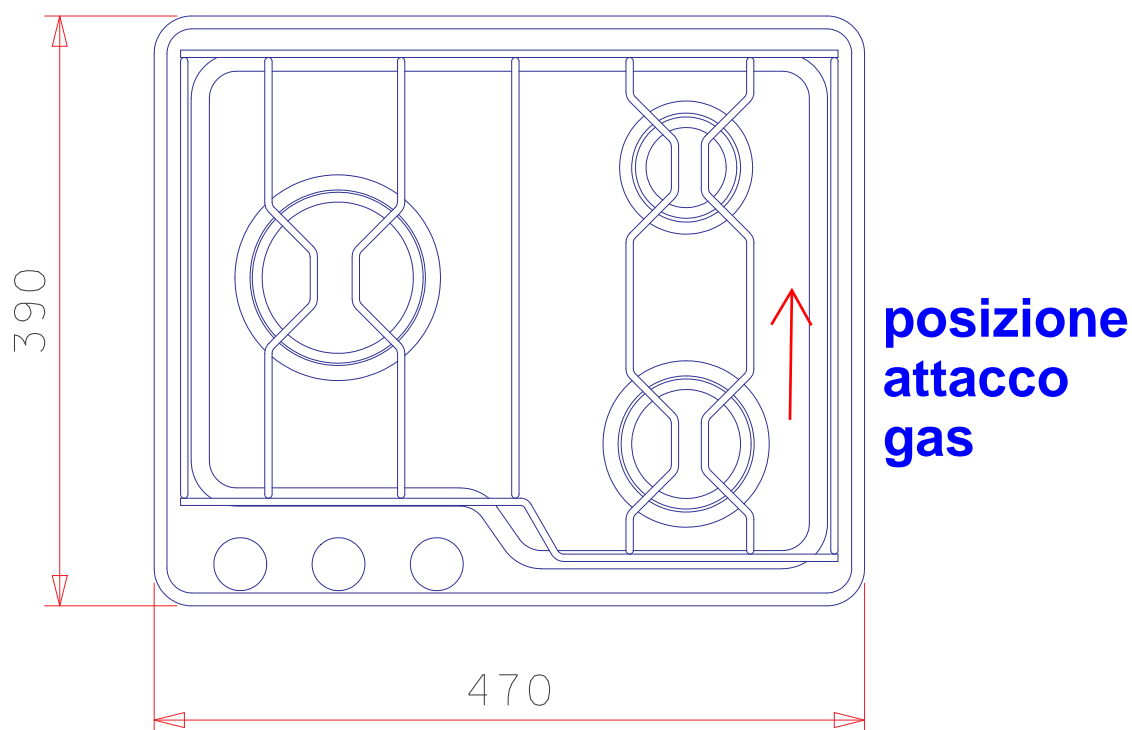
NO. OF BURNERS: 3

WEIGHT: 3 Kg

POWER OF BURNER SMALL 1,0 kW

POWER OF BURNER MEDIUM 1,7 KW

POWER OF BURNER LARGE 3,0 KW



HOLE 370 X 450

